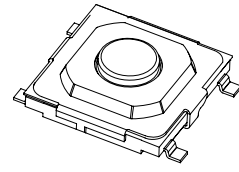
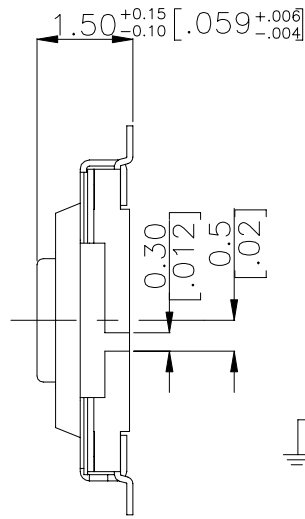
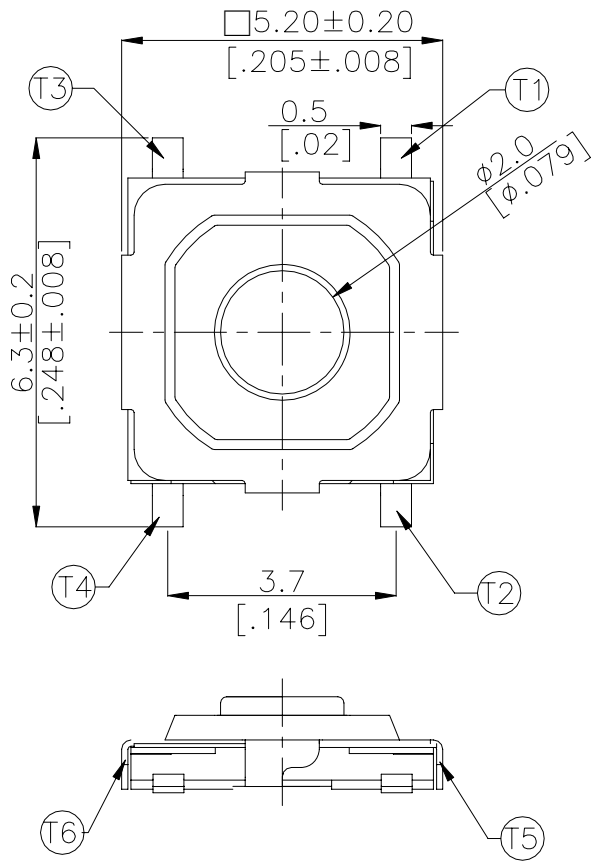


TMG.TJG-5 SERIES

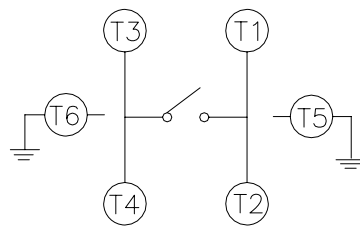


DIMENSIONS

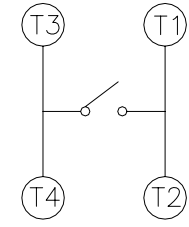
TMG-53



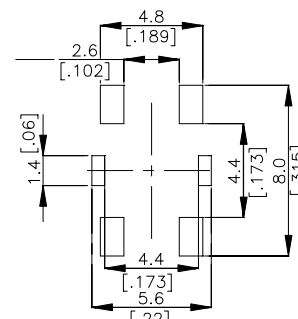
TMG-53*



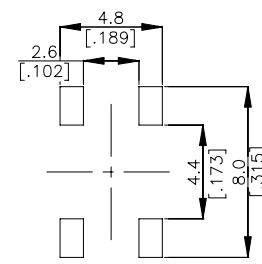
WITH GROUND
CIRCUIT DIAGRAM



WITHOUT GROUND
CIRCUIT DIAGRAM



WITH GROUND
P.C.B. LAYOUT



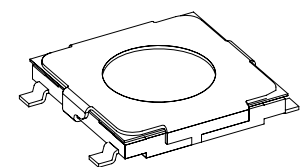
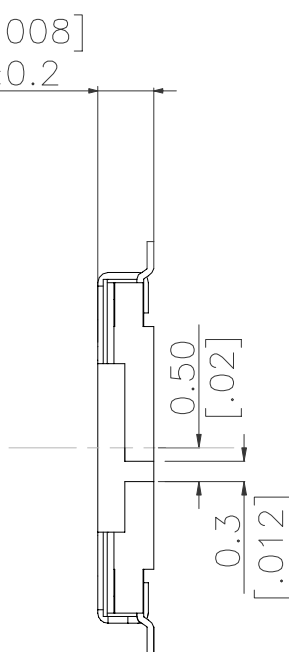
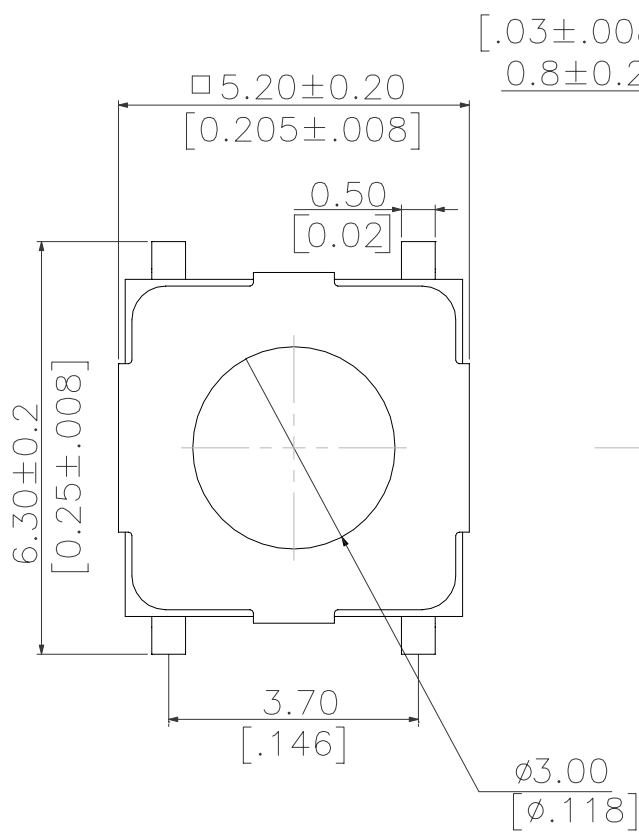
WITHOUT GROUND
P.C.B. LAYOUT

Table 1

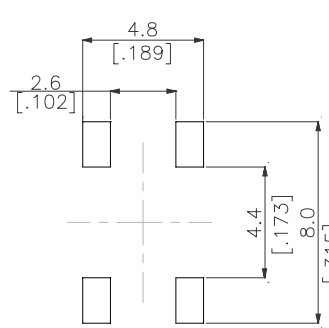
PART NO	OF
TMG-532-V	100gf
TMG-533-V	160gf
TMG-534-V	260gf

General Tolerance : ±0.2mm

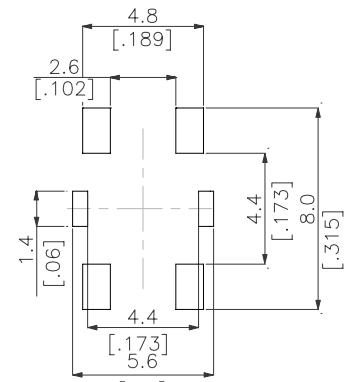
TMG-52



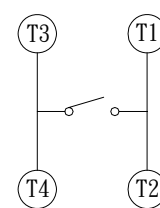
TMG-52*



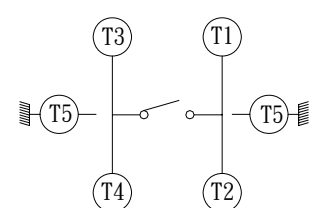
WITHOUT GROUND
P.C.B. LAYOUT



WITH GROUND
P.C.B. LAYOUT



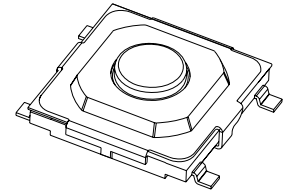
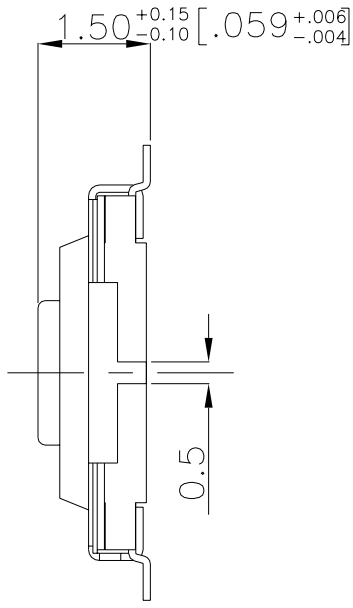
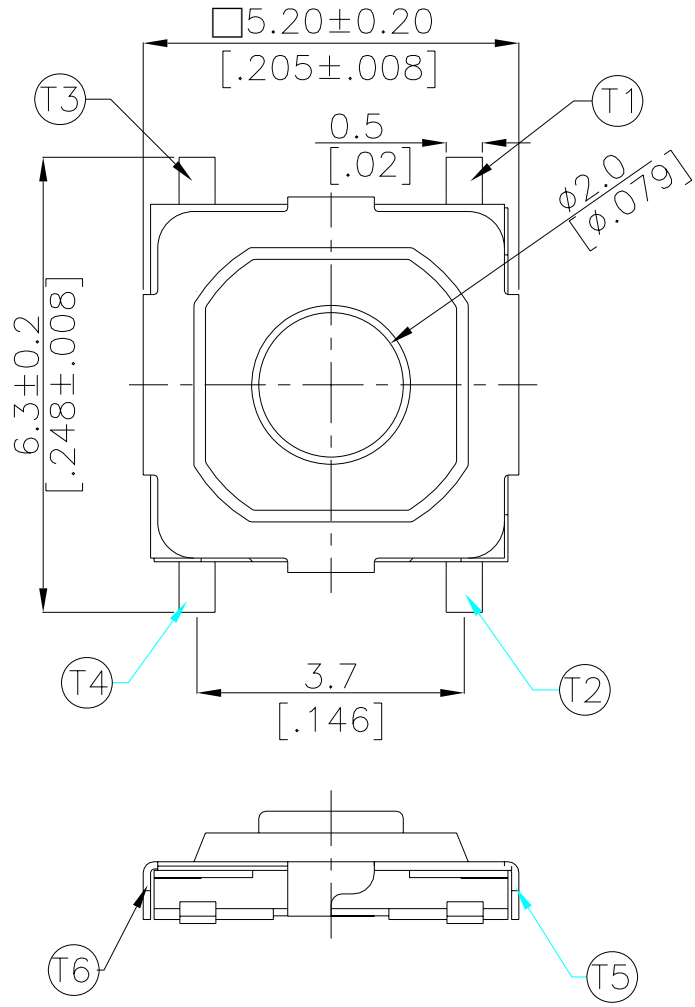
WITHOUT GROUND
CIRCUIT DIAGRAM



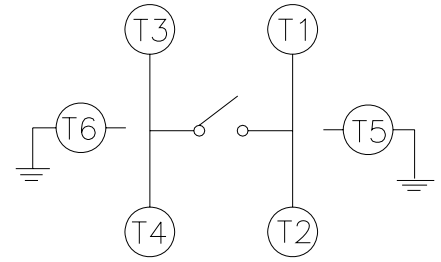
WITH GROUND
CIRCUIT DIAGRAM

General Tolerance : ±0.2mm

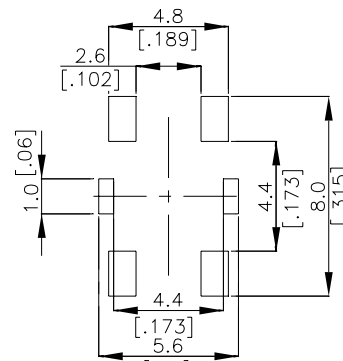
TME-53



TME-53*



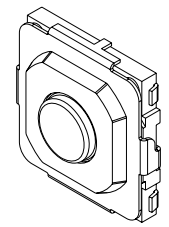
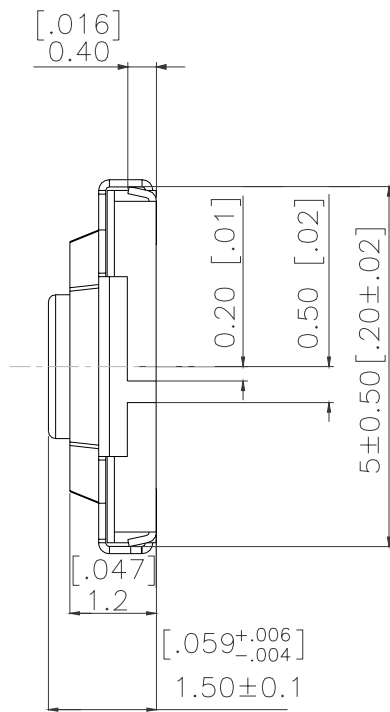
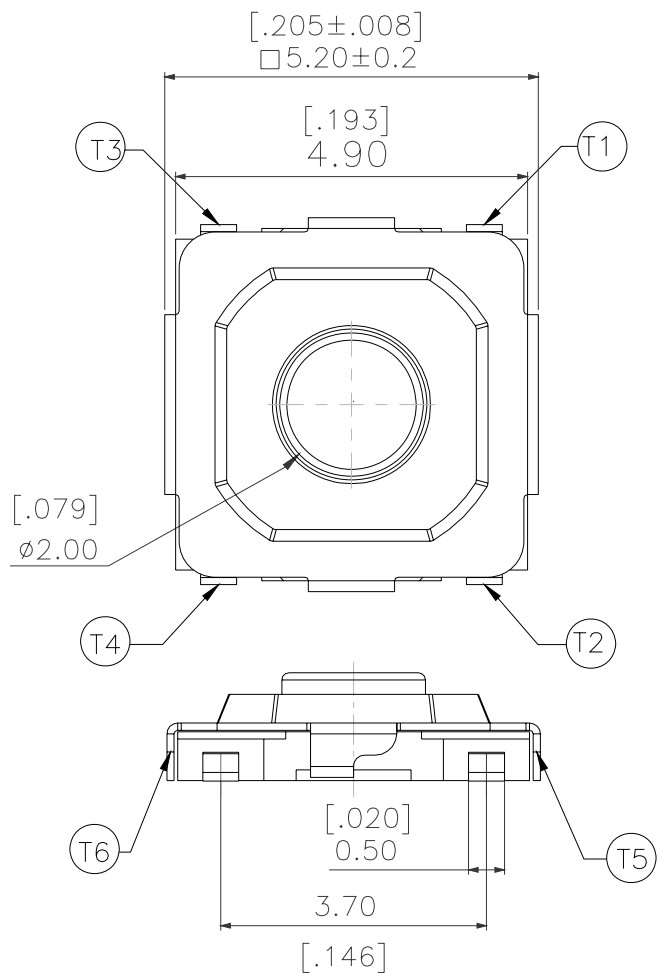
WITH GROUND
CIRCUIT DIAGRAM



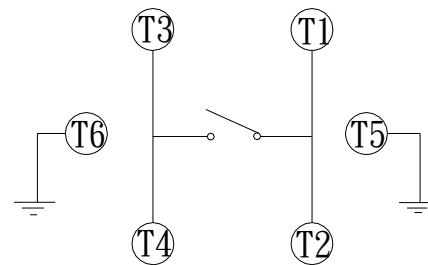
WITH GROUND
P.C.B LAYOUT

DIMENSIONS

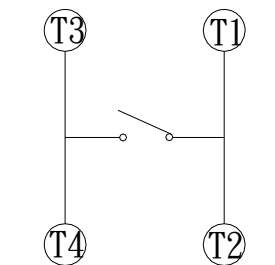
TJG-53



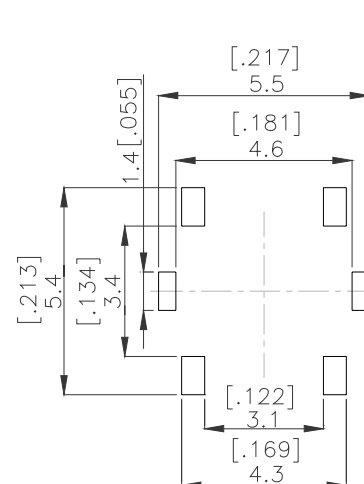
TJG-53*



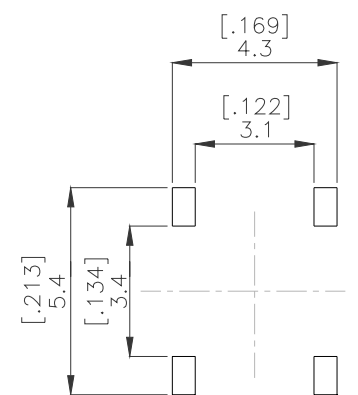
WITH GROUND
CIRCUIT DIAGRAM



WITHOUT GROUND
CIRCUIT DIAGRAM



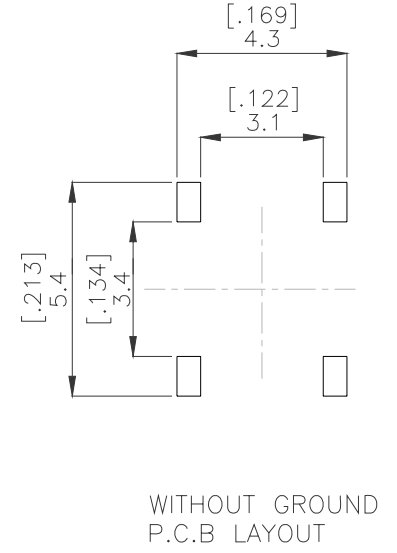
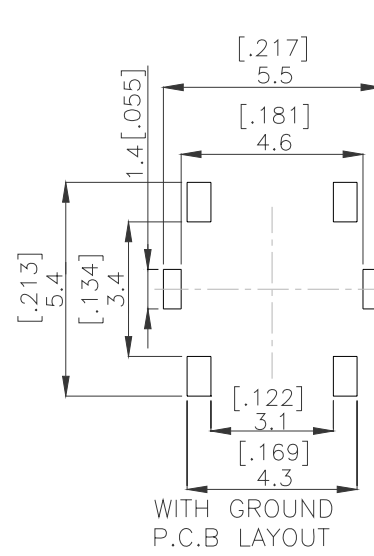
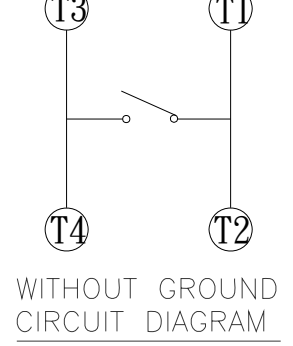
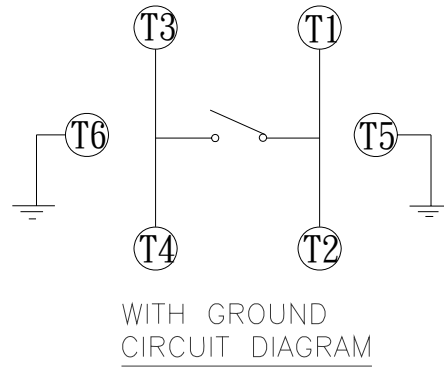
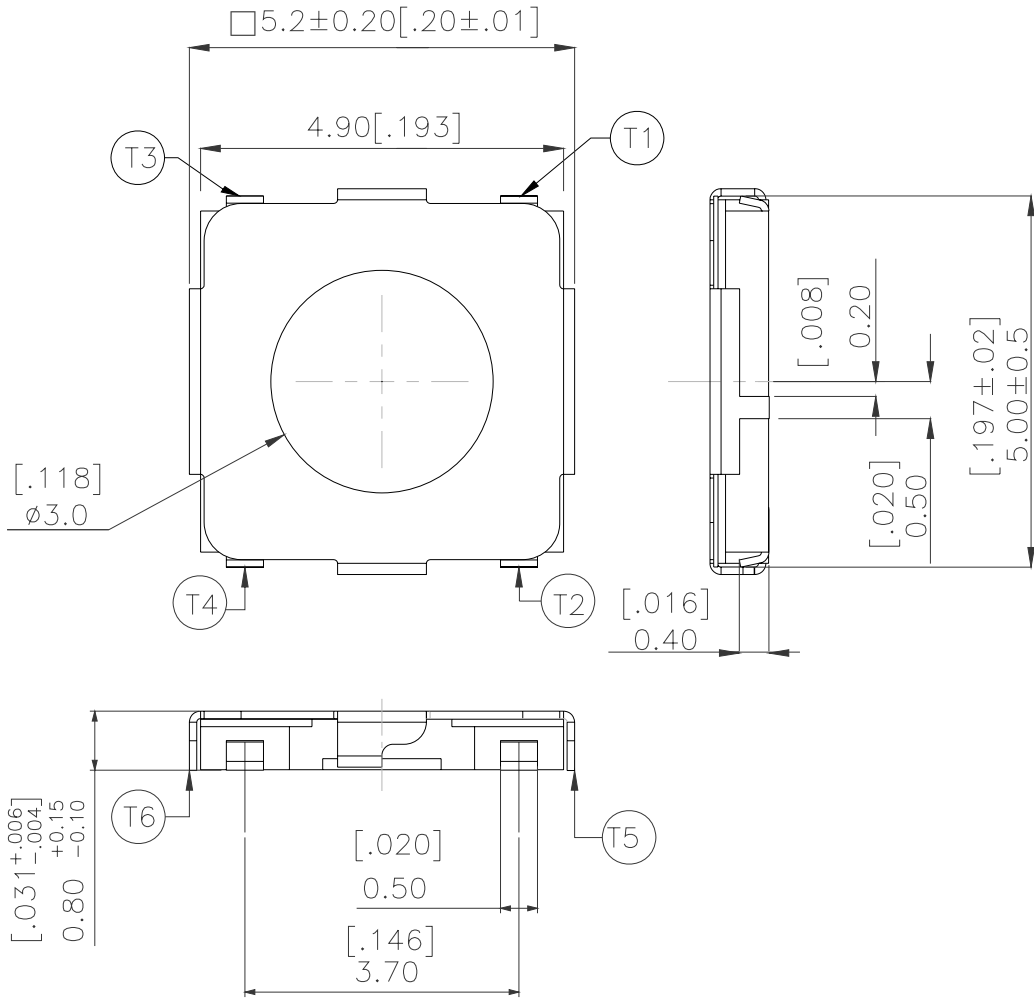
WITH GROUND
P.C.B LAYOUT



WITHOUT GROUND
P.C.B LAYOUT

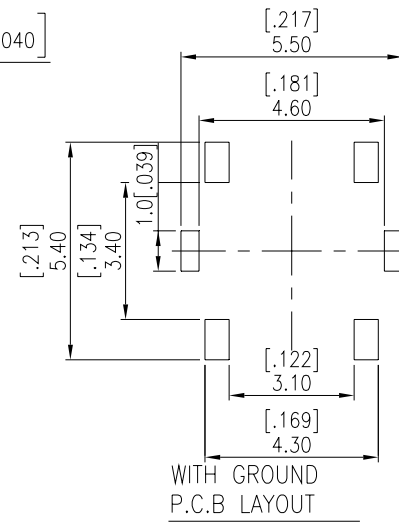
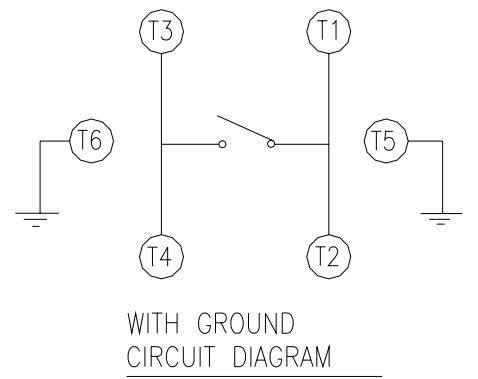
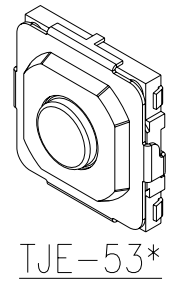
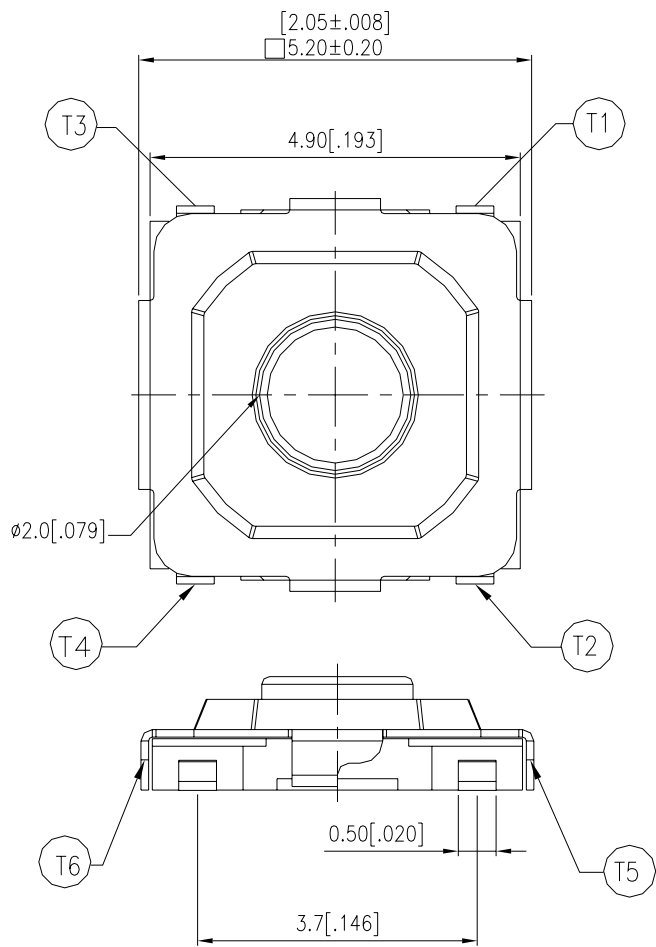
General Tolerance : $\pm 0.2\text{mm}$

TJG-52



General Tolerance : $\pm 0.2\text{mm}$

TJE-53



HOW TO ORDER

T □ □ - 5 □ □ - □ - □

Package Style :
T/R=Tape & Reel

Soldering :
V=Lead Free Solderable

Operating Force :
2=100g
3=160g
4=260g

Total Height :
2=0.8mm
3=1.5mm

Prod, Size :
5=5X5mm

G=With Ground Terminals
E = Ground pin in Central (Only for TME-53□)

Termination Type :
M=Gull Wing
J=J Bend

SPECIFICATION

△MECHANICAL

Operation Force:

100 ± 50gf TMG-5□2, TJG-5□2

160 ± 50gf TMG-5□3, TJG-5□3, TJE-5□3

260 ± 50gf TMG-5□4, TJG-5□4, TJE-5□3

Stop Strength: Max. 3kgf vertical static load continuously
for 15 seconds

Stroke: 0.25 + 0.1mm
- 0.2mm

Operation Temperature: -25°C to + 70°C

Storage Temperature: -30°C to +80°C

△ELECTRICAL

Electrical Life:

1,000,000 cycles min. for TMG-5□2, TJG-5□2

1,000,000 cycles min. for TMG-5□3, TJG-5□3, TJE-5□3

200,000 cycles min. for TMG-5□4, TJG-5□4, THE-5□4

Rating: 50mA , 12VDC

Contact Resistance: 100mΩ max.

Insulation Resistance: 100MΩ min. at 500VDC

Dielectric Strength: 250VAC / 1 minute

Contact Arrangement: 1 pole 1 throw

MATERIALS

△COVER: Nickel Silver

△CONTACT DISC: Stainless steel with silver cladding.

△TERMINAL: Brass with silver plated.

△BASE: LCP High-temp Thermoplastic

Color: Black

△STEM: Brass with nickel plated TMG-53□, TJG-53□
, TJE-53□

None/TMG-52□, TJG-52□, TJE-52□

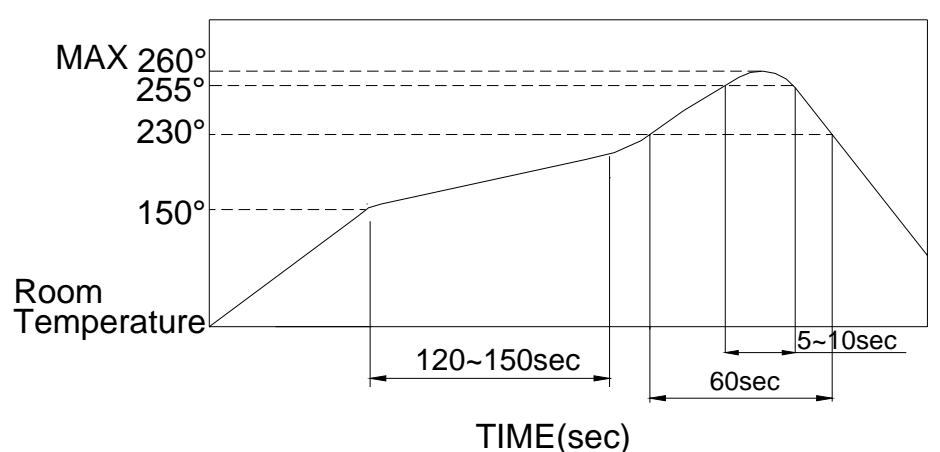
△TAPE: Teflon

SOLDERING PROCESS

△HAND SOLDERING: Use a soldering iron of 30 watts,
controlled at 350°C approximately Max 5 seconds while
applying solder.

△SOLDERING: Vapor phase & reflow soldering can
be applied.

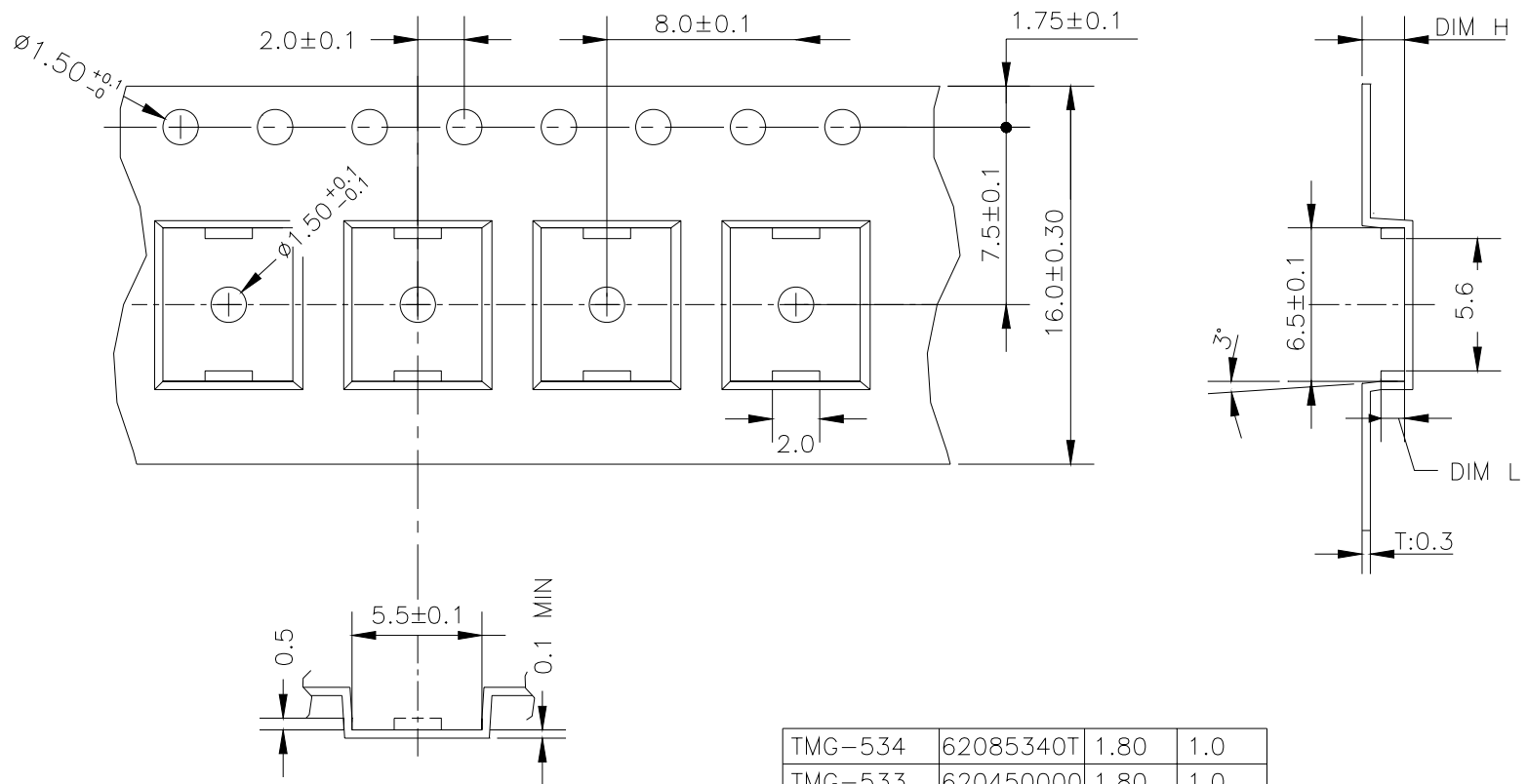
△ Temperature Profile:



PACKING

Part Number	Number Per Reel
TMG-5	4000
TJG-5	4000

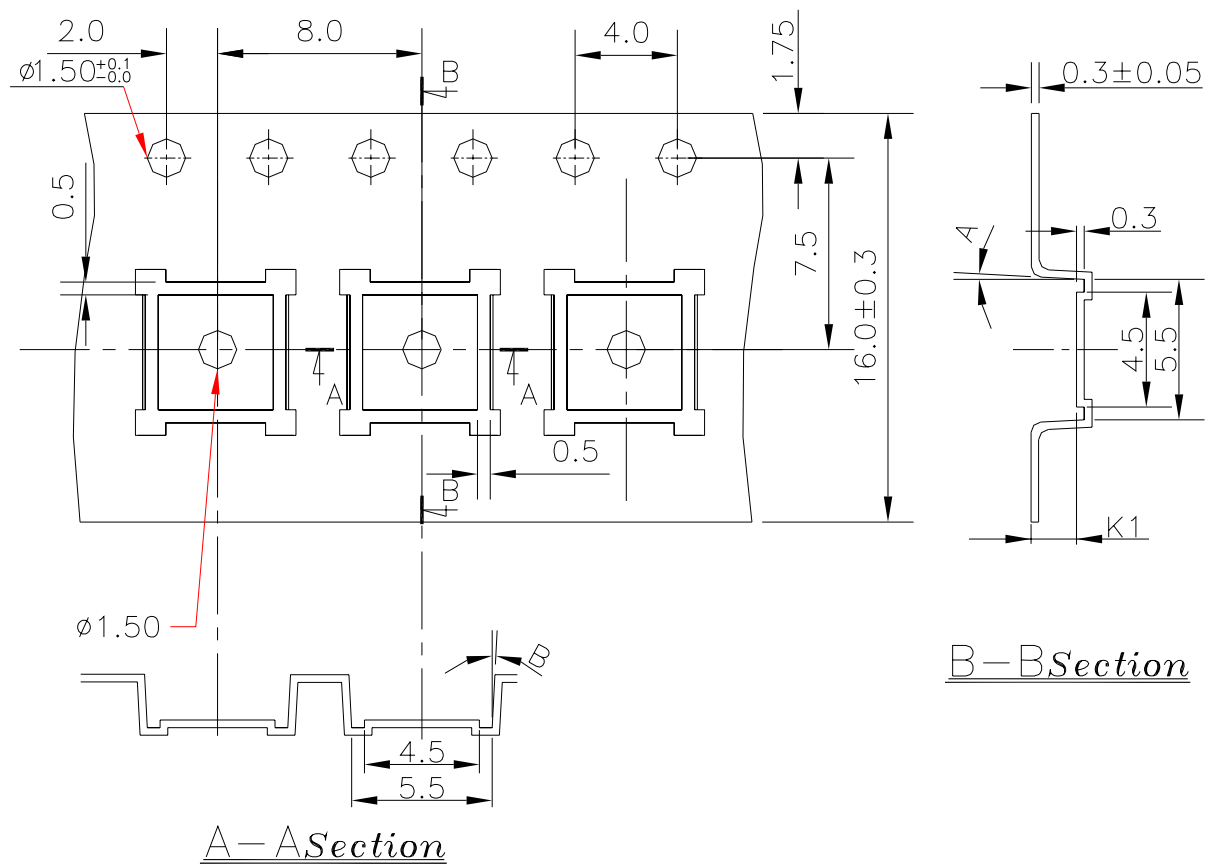
TMG-5 REEL



TMG-534	62085340T	1.80	1.0
TMG-533	620450000	1.80	1.0
TMG-524	62085240T	1.10	0.6
TMG-523	620450001	1.10	0.6
PART NAME	PART NO	DIM H	DIM L

General Tolerance : ± 0.1 mm

TJG-5 REEL



TJ(G)-533	3°	2.00	3°
TJ(G)-523	5°	1.25	5°
TJ(G)-534	3°	2.00	3°
TJ(G)-524	5°	1.25	5°
PART NAME:	A	K1	B

General Tolerance : ± 0.1 mm

PRECAUTIONS in HANDLING

Care should be exercised so that flux from the upper part of the printed circuit board does not adhere to the switch.

Except for washable type do not wash the switch body.

Press direction & illustrated drawing:

