



SPECIFICATIONS

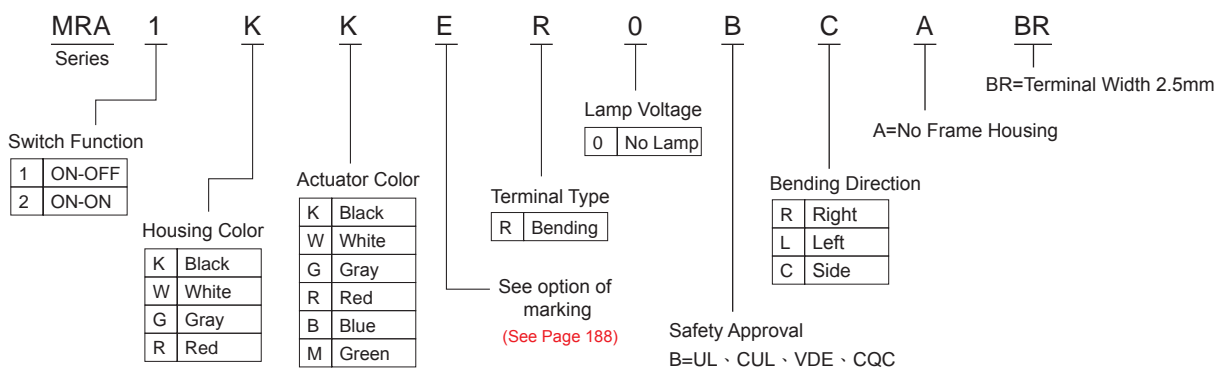
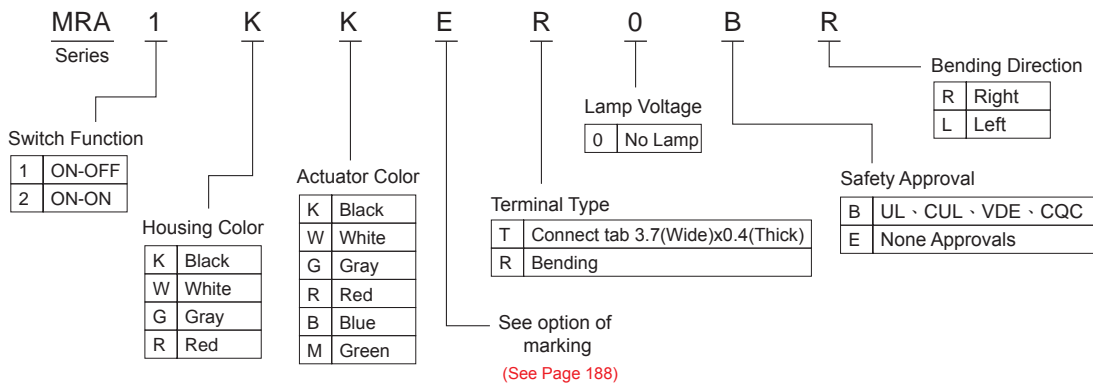
- Electrical rating :** 3A 250VAC & 3A 125VAC
- Contact resistance:** < 20mΩ(initial)
- Insulation resistance:** > 1000MΩ(500VDC between open contacts)
- Dielectric strength:** > 1500V 1 minute
- Mechanical life:** > 30000 cycles
- Electrical life:** > 10000 cycles
- Temperature rise at the terminal:** Max.30℃
- Solder ability of terminal:** Max350℃ ,3S(no pressure may be placed in the terminals when soldering by hand)
- Any Cd Pb Hg etc and it's compounds is not include in this product
- Ambient temperature:** 10T85/55
- Ambient humidity:** Max.85%
- Degree of protection:** IP20
- Applicability for appliance of class:** class II
- Proof tracking resistance index(PTI):** 175
- Degree of pollution:** normal

MATERIALS

- Housing: PA66
- Rocker: PA66
- Contacts: Silver alloy
- Terminal: Brass silver plated
- Spring: SWC
- Movable arm: Brass silver plated

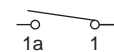


HOW TO ORDER



OPTIONS OF SWITCH FUNCTION

Item NO	POLES & THROWS	Rocker position		
		Left	Center	Right
MRA1	SPST	ON	None	OFF
MRA2	SPDT	ON	None	ON



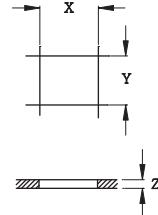
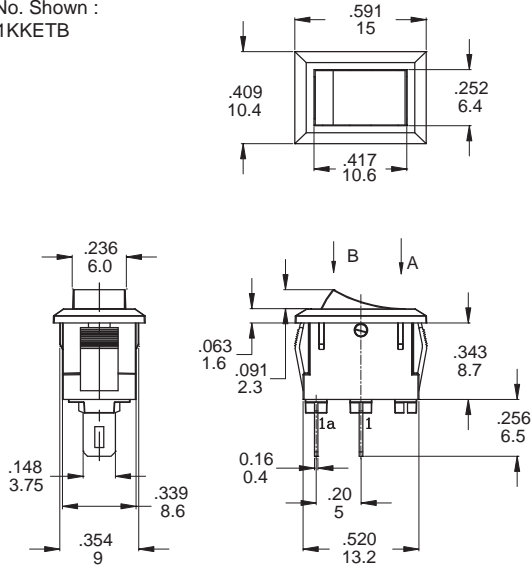
CIRCUIT SPST

POLE FUNCTION	OPTIONS OF FUNCTION		
	A	—	B
SPST	1-1a	—	OFF

MRA Series

Rocker Switches

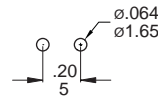
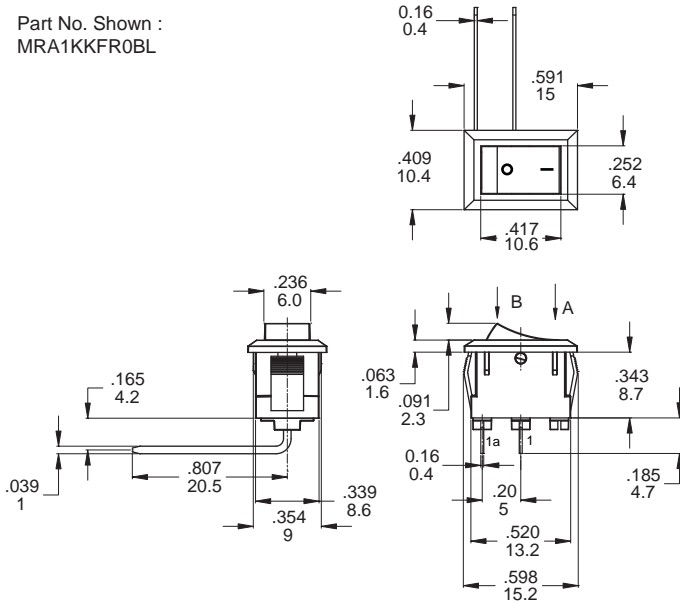
Part No. Shown :
MRA1KKETB



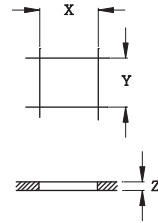
PANEL OUT-CUT		
Z	Y	X
0.7-1.25 [.028-.049]	9.1-9.2 [.358-.362]	13.6-13.8 [.535-.543]
1.25-2.0 [.049-.079]	9.1-9.2 [.358-.362]	13.8-14.0 [.543-.551]
2.0-3.0 [.079-.118]	9.1-9.2 [.358-.362]	14.0-14.1 [.551-.555]

* We keep the right to alter the dimension without notice.

Part No. Shown :
MRA1KKFR0BL



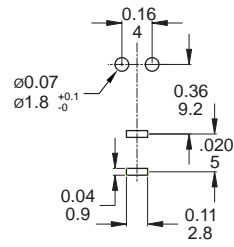
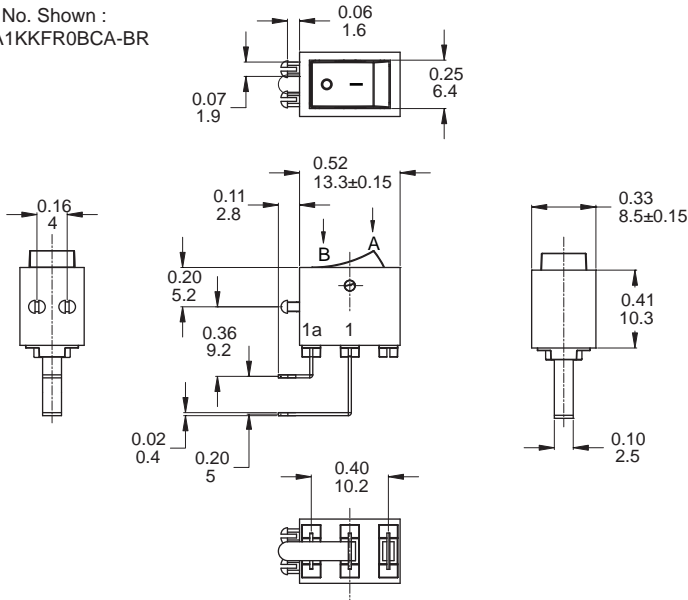
PC MOUNTING



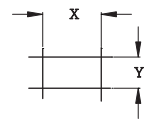
PANEL OUT-CUT		
Z	Y	X
0.7-1.25 [.028-.049]	9.1-9.2 [.358-.362]	13.6-13.8 [.535-.543]
1.25-2.0 [.049-.079]	9.1-9.2 [.358-.362]	13.8-14.0 [.543-.551]
2.0-3.0 [.079-.118]	9.1-9.2 [.358-.362]	14.0-14.1 [.551-.555]

* We keep the right to alter the dimension without notice.

Part No. Shown :
MRA1KKFR0BCA-BR



P.C MOUNTING



PANEL OUT-CUT	
Y	X
8.7-8.9 [.338-.354]	13.5-13.7 [.528-.543]

* We keep the right to alter the dimension without notice.

MRA
Rocker Switches