



**SPECIFICATIONS**

**POLE-POSITION :** Momentary Type, SPST with LED

**CONTACT RATING :** 30V DC,0.1A

**CONTACT RESISTANCE :** 50 mΩ max. 1.5V DC ; 100mA,  
by Method of Voltage DROP

**INSULATION RESISTANCE :** 100 MΩ min. 500V DC

**DIELECTRIC STRENGTH :** 500V AC for 1 Minute

**OPERATING FORCE :** 250±100gf

**OPERATING LIFE :** 50,000 cycles

**OPERATING TEMPERATURE RANGE :** -40°C ~ 85°C

**TOTAL TRAVEL :** 1.2±0.3mm

**Materials**

**CAP :** PC

**CASE & HOUSING :** Nylon 6/6

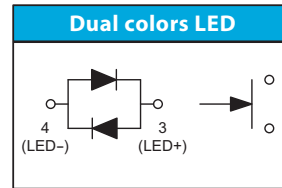
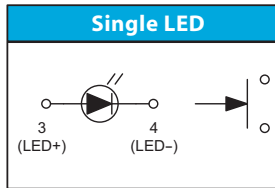
**TERMINALS :** Copper alloy with gold plated.

**HOW TO ORDER**

MODEL NO.      LED COLOR

**PBL** ————

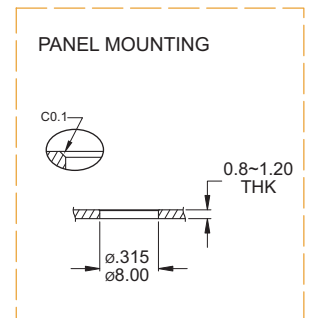
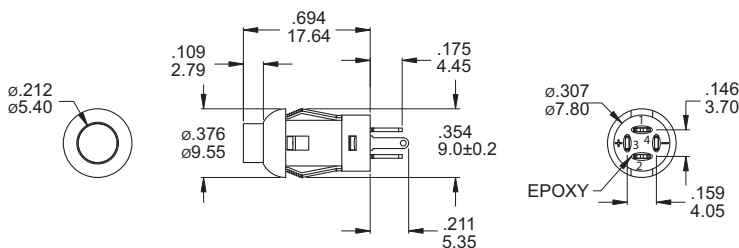
ITEM NO	COLOR
01	White
03	Red
05	Yellow
06	Green
07	Blue
76	Blue (Green)



**WITH LED ELECTRO-OPTICAL DATA**

\* The LED specification for reference only

Lens Appearance	Color	Electro-optical Data(AT 20mA)				Peak wavelength	Viewing Angle 2θ 1/2 (deg)	
		Vf (V)		Iv (mcd)				
		Typ.	Max.	Min.	Typ.			
Water Clear	White	3.30	4.00	900	1500	X/Y=0.31	45°	
	Red	1.95	2.50	700	1300		630	45°
	Yellow	2.10	2.50	12	25		588	45°
	Green	2.10	2.50	100	300		570	45°
	Blue	3.30	4.00	700	1300		470	45°
	Blue (Green)	B	3.3	4.0	80		160	470
G		2.1	2.5	30	80	570		



Part No. Shown : PBL-XX

PBL Pushbutton Switches