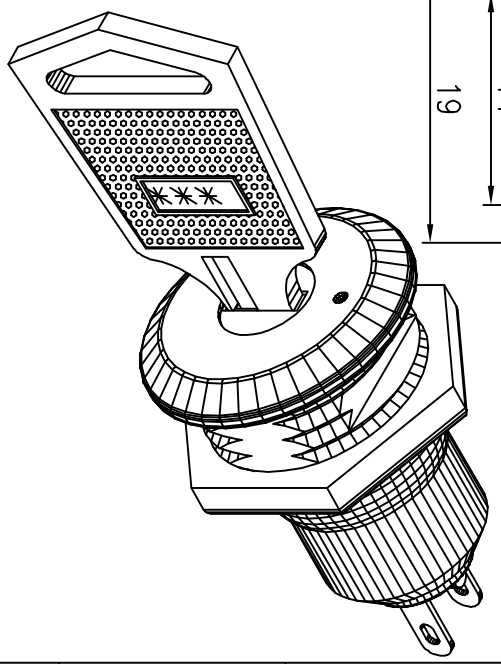


Recommended hole size



- NOTE:
- \* Zinc alloy die cast housing.
  - \* Stainless steel capped bezel.
  - \* Zinc plated standard.
  - \* Brass keys, nickel plated.
  - \* 2 position off-on, 2 terminals.
  - \* Two pull-out positions.
  - \* 1 combinations available. KEY NO. :134.
  - \* Hex nut mounted.
  - \* Contact rating: 0.2A 125VAC.
  - \* Met with ROHS.

DESCRIPTION	<b>SWITCH LOCK</b>			
PART NO.	S334B-2			
MATERIAL				
NOTE				
APPROVED BY		CHECKED BY		DRAWN BY
TOLERANCES		UN	mm	SCALE
				2:1



REV. NO.	COORDINATES	WAS	NEW	DATE	BY	REV.	A	WT.	9	DATE	03.16.09
1	2	3	4	5	6	7	8				